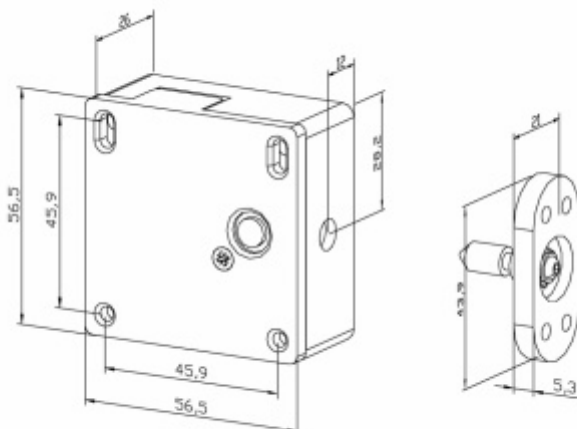




Cabinet electric locks PU-series are universal solution for furniture, cabinets, cupboards and drawers requiring access control and/or time and attendance recording. Due to the housing out of high-quality plastic reinforced with fiberglass they are often used in the locker rooms in swimming pools, sports and wellness centers as well as employee lockers. They perfectly secure cabinets and drawers in offices and commercial buildings. Also available in a version with external spring allowing installation in cabinets without handles.

### Characteristic:

- fail-secure (NC normally closed)
- size width 26mm, height 56,5mm, depth 56,5mm
- mechanical strength - break-in resistance 1500 N (150 kg)
- housing resistant to corrosion



## Electric specification

	<b>12AC/DC</b>	<b>12DC</b>	<b>24AC/DC</b>	<b>24DC</b>
<b>Index</b>	PU12	PU12	PU24	PU24
<b>Voltage tolerance (V)</b>	10-14	10-14	22-26	20-28
<b>Resistance (Ohm)</b>	13	34	74	130
<b>Power consumption AC (mA)</b>	650	-	230	-
<b>Power consumption DC (mA)</b>	920	350	330	185
<b>Max. preload AC (N)</b>	7	-	5,5	-
<b>Max. preload DC (N)</b>	4	2	5	2,5
<b>Pin lenght (mm)</b>	18	18	18	18
<b>Pin diameter (mm)</b>	7	7	7	7
<b>Weight (kg)</b>	0,1	0,1	0,1	0,1

## Available models

Index	Voltage		Current		Work type		Functions		Housing
	12V	24V	AC	DC	NC	NO	Czujnik	Varistor	
PU12U	●		●	●	●				plastic
PU12UC	●		●	●	●		●		plastic
PU12UV	●		●	●	●			●	plastic
PU12UCV	●		●	●	●		●	●	plastic
PU12N	●			●	●				plastic
PU12NC	●			●	●		●		plastic
PU12NV	●			●	●			●	plastic
PU12NCV	●			●	●		●	●	plastic
PU24U		●	●	●	●				plastic
PU24UC		●	●	●	●		●		plastic
PU24U		●	●	●	●			●	plastic
PU24UCV		●	●	●	●		●	●	plastic
PU24N		●		●	●				plastic
PU24NC		●		●	●		●		plastic
PU24NV		●		●	●			●	plastic
PU24NCV		●		●	●		●	●	plastic