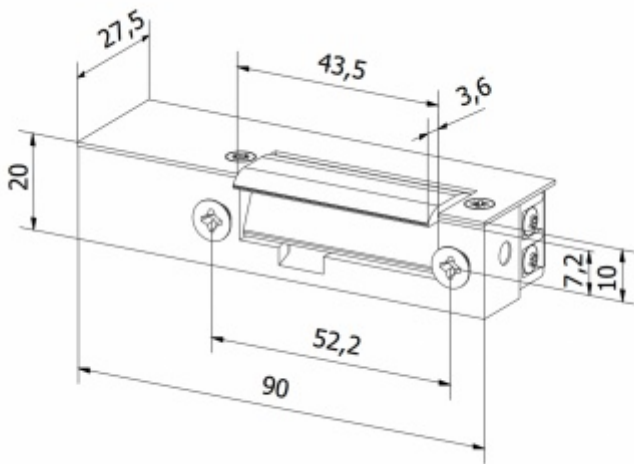
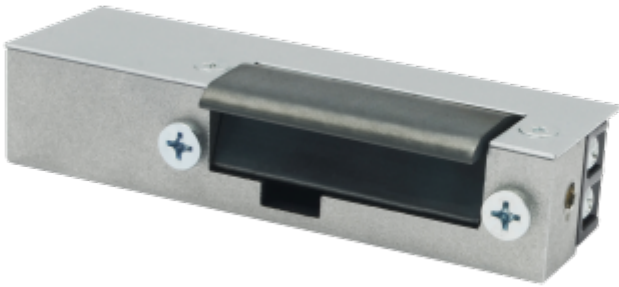


Biratronik EL1-series



Electric strikes EL1-series have asymmetric housing and steel, strengthened latch. There is no latch adjustment thanks to this the latch is stronger than adjustable latch. Biratronik electric strikes are applied to wide range of doors (wooden, metal and PVC), gateways and lockers. They cooperate properly with all other elements of access control systems: intercoms, video intercoms, door phones, card readers etc. and therefore they are often used in residential and multi-apartment buildings, offices and commercial buildings.

Characteristic:

- fail-secure (NC normally closed) or fail-safe (NO normally open)
- size: width 20mm, height 90mm, depth 27,5mm, size of version with door status monitoring 20mm x 97mm x 28mm
- mechanical strength - break-in resistance 6000 N
- mechanical strength - opening cycles 200.000
- DIN-left and DIN-right doors

Models in BIRA BASIC line

- normally close
- with hold-open function
- with mechanical unlocking
- with hold-open function and mechanical unlocking
- NO (normally open)
- low-consumption

Above models available with door status monitoring (KZ) and/or varistor (Y).

Electric specification

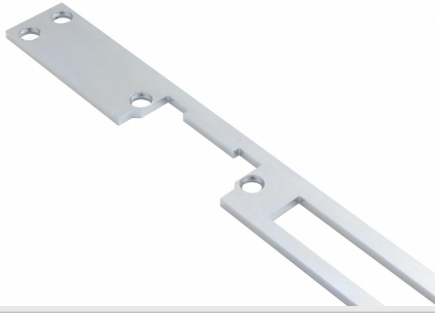


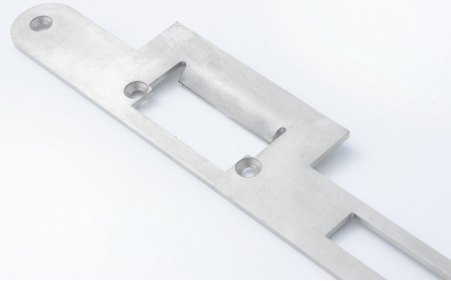
	12AC	12DC	12DC NO	24AC/DC	24DC	24DC NO
Index	EL1-001	EL1-005	EL1-009	EL1-010	EL1-014	EL1-018
Voltage tolerance (V)	8-14	8-14	8-14	18-26	18-26	18-26
Resistance (Ohm)	13,2	27	60	70	155	230
Power consumption AC (mA)	640	-	-	240	-	-
Power consumption DC (mA)	-	440	200	340	150	100
Continuously powered (100% ED)	no	no	yes	no	no	yes

Available models

Index	Type	Voltage		Current		Work type				Functions				Housing	Latch
		12V	24V	AC	DC	NC	NO	Mechanical unlocking	Hold-open	Monitoring	Varistor	Strengthened spring	Latch bolt guide		
EL1-001	standard	●		●		●								asymmetric	steel
EL1-002	standard	●		●		●				●				asymmetric	steel
EL1-003	standard	●		●		●			●					asymmetric	steel
EL1-004	standard	●		●		●			●	●				asymmetric	steel
EL1-005	low-consumption	●			●	●								asymmetric	steel
EL1-006	low-consumption	●			●	●				●				asymmetric	steel
EL1-007	low-consumption	●			●	●			●					asymmetric	steel
EL1-008	low-consumption	●			●	●			●	●				asymmetric	steel
EL1-009	fail-safed (NO)	●			●		●							asymmetric	steel
EL1-010	standard		●	●	●	●								asymmetric	steel
EL1-011	standard		●	●	●	●				●				asymmetric	steel
EL1-012	standard		●	●	●	●			●					asymmetric	steel
EL1-013	standard		●	●	●	●			●	●				asymmetric	steel
EL1-014	low-consumption		●		●	●								asymmetric	steel
EL1-015	low-consumption		●		●	●				●				asymmetric	steel
EL1-016	low-consumption		●		●	●			●					asymmetric	steel
EL1-017	low-consumption		●		●	●			●	●				asymmetric	steel
EL1-018	fail-safed (NO)		●		●		●							asymmetric	steel

[Wyjaśnienie funkcji](#)

Matching mounting elements

<p>Flat plates</p>	<ul style="list-style-type: none"> • made out of different materials: stainless steel, standard steel, anodized aluminum • polished, plated, galvanized or painted 	
<p>Angle plates</p>	<ul style="list-style-type: none"> • made out of steel or stainless steel • plated, galvanized or painted 	
<p>Boxes</p>	<ul style="list-style-type: none"> • made out of steel • galvanized or painted • front or side mounting 	
<p>Special plates with latch bolt guide securing profile</p>	<ul style="list-style-type: none"> • made out of steel or stainless steel • plated, galvanized or painted • Wykonane ze stali nierdzewnej lub zwykłej ocynkowanej, niklowanej lub lakierowanej 	
<p>Blachy do wmurowania</p>	<p>Wykonane ze stali zwykłej ocynkowanej, montowane w furtkach</p>	
<p>Mounting brackets for order</p>	<ul style="list-style-type: none"> • striking plates adapted to customer needs 	